

# OPERATOR'S SAFETY AND SERVICE MANUAL



## SP80 SP125 SP160

This manual covers the following serial numbers and higher for each model listed:

SP80 .....	3830125
SP125 .....	3830125
SP160 .....	3830125



## SOIL PICK

**MBW, Inc.**  
250 Hartford Rd • PO Box 440  
Slinger, WI 53086-0440  
Phone: (262) 644-5234  
Fax: (262) 644-5169  
Email: [mbw@mbw.com](mailto:mbw@mbw.com)  
Website: [www.mbw.com](http://www.mbw.com)

**MBW Europe Ltd.**  
Units 2 & 3 Cochrane Street  
Bolton BL3 6BN  
England, UK  
Phone: +44 (0) 1204 387784  
Fax: +44 (0) 1204 387797  
Email: [saleseurope@mbw.com](mailto:saleseurope@mbw.com)  
website: [mbw-europe.com](http://mbw-europe.com)

L3847 / 11.23.U  
©MBW, Inc. 2023  
Printed in the USA

# TABLE OF CONTENTS

---

<b>SAFETY INFORMATION</b> .....	<b>1</b>	Tips & Tricks .....	4
Introduction .....	1	<b>SERVICE</b> .....	<b>6</b>
Safety Precautions .....	1	Torque Chart .....	6
<b>SPECIFICATIONS</b> .....	<b>3</b>	Service Tools .....	6
<b>OPERATION</b> .....	<b>4</b>	Handle Disassembly .....	6
Introduction .....	4	Handle Assembly .....	6
Before Starting & Operating .....	4	Parts Replacement Cycles and Tolerances .....	7
Connecting to Air Compressor .....	4	<b>REPLACEMENT PARTS</b> .....	<b>9</b>
Starting Soil Pick .....	4	Main Assembly .....	10
Operating .....	4	Handle Assembly .....	12
Stopping Soil Pick .....	4	<b>WARRANTY</b> .....	<b>14</b>

**This page intentionally left blank.**

# SAFETY INFORMATION

## Introduction



This Safety Alert Symbol is used to call attention to items or operations which may be dangerous to those operating or working with this equipment.

The symbol can be found throughout this manual and on the unit. Please read these warnings and cautions, along with all decals, carefully before attempting to operate the unit. Make sure every individual who operates or works with this equipment is familiar with all safety precautions.

### **WARNING**

**GENERAL WARNING.** Indicates information important to the proper operation of the equipment. Failure to observe may result in damage to the equipment and/or severe bodily injury or death.

### **CAUTION**

**GENERAL CAUTION.** Indicates information important to the proper operation of the equipment. Failure to observe may result in damage to the equipment.

## Safety Precautions



**LETHAL EXHAUST GAS:** An internal combustion engine discharges carbon monoxide, a poisonous, odorless, invisible gas. Death or serious illness may result if inhaled. Operate only in a properly ventilated area. **NEVER OPERATE IN A CONFINED AREA!**



**DANGEROUS FUELS:** Use extreme caution when storing, handling and using fuels as they are highly volatile and explosive in vapor state. Do not add fuel while engine is running. Stop and cool the engine before adding fuel. **DO NOT SMOKE!**



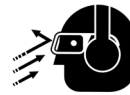
**SAFETY GUARDS:** It is the owner's responsibility to ensure that all guards and shields are in place and in working order.



**IGNITION SYSTEMS:** Breakerless, magneto, and battery ignition systems can cause severe electrical shocks. Avoid contacting these units or their wiring.



**SAFE DRESS:** Do not wear loose clothing, rings, wristwatches, etc. near machinery.



**NOISE PROTECTION:** Wear OSHA specified hearing protection devices.



**EYE PROTECTION:** Wear OSHA specified eye shields, safety glasses, and sweat bands.



**FOOT PROTECTION:** Wear OSHA specified steel-tipped safety shoes.

**HEAD PROTECTION:** Wear OSHA specified safety helmets.



**OPERATOR:** Keep children and bystanders off and away from the equipment.

**DUST PROTECTION:** Machining, crushing or handling of stone, concrete, masonry, metal and other materials may generate dust, mist and fumes containing chemicals such as silica

known to cause serious or fatal injury or illness such as respiratory disease, silicosis, cancer, birth defects, or other reproductive harm.

- Control dust, mist and fumes at the source where possible. Water should be used to control dust whenever feasible.
- Use good work practices and follow the recommendations of the manufacture, OSHA/NIOSH and other occupational trade associations.
- When hazards cannot be eliminated the operator and any bystanders should always wear a OSHA specified respirator for materials being handled.

**REFERENCES:** For details on safety rules and regulations in the United States, contact your local Occupational Safety and Health Administration (OSHA) office. Equipment operated in other countries must be operated and serviced in accordance and compliance with any and all safety requirements of that country. The publication of these safety precautions is done for your information. MBW does not by the publication of these precautions, imply or in any way represent that these are the sum of all dangers present near MBW equipment. If you are operating MBW equipment, it is your responsibility to insure that such operation is in full accordance with all applicable safety requirements and codes. All requirements of the United States Federal Occupational Safety and Health Administration Act must be met when operated in areas that are under the jurisdiction of that United States Department.

## Safety Decals

Carefully read and follow all safety decals. Keep them in good condition. If decals become damaged, replace as required. If repainting the unit, replace all decals. Decals are available from authorized MBW distributors. Order the decal set listed on the following page.


17762

**MBW**

# SOIL PICK™

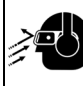
US PATENT #5,170,943

- MINIMIZE SCATTER BY KEEPING BOTTOM OF DEFLECTOR SHIELD THREE INCHES (3") ABOVE NOZZLE.
- PULL TRIGGER AND CHECK PRESSURE GAUGE. IF INDICATED PRESSURE IS NOT BETWEEN 100 AND 125 PSI (INDICATED BY A GREEN SECTION ON SOME GAUGES), INCREASE AIR SUPPLY BEFORE PROCEEDING.



**WARNING**

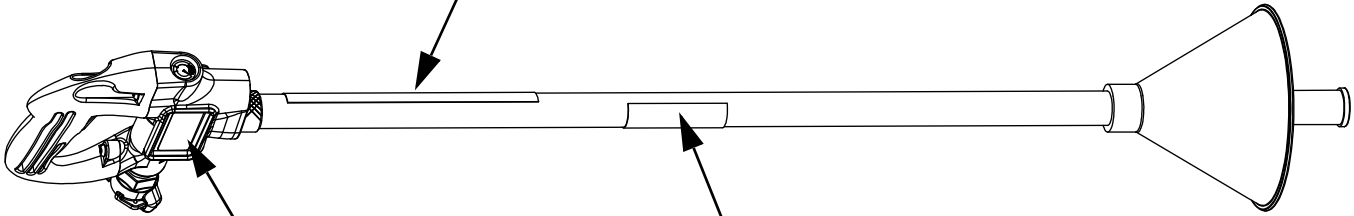
High pressure air/skin puncture hazard. Do not point nozzle at people.




**CAUTION**

Flying debris and loud noise hazard. Wear ear and eye protection.

17762



22486



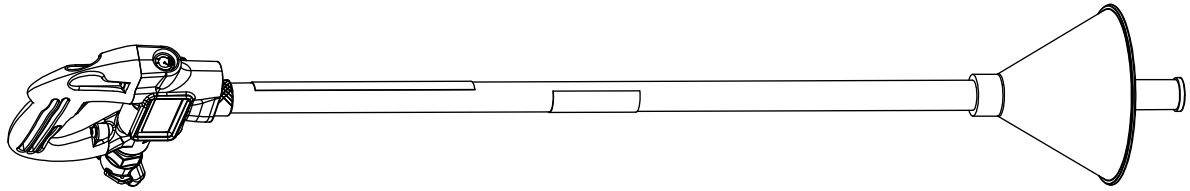
## WARNING

Operating, servicing and maintaining this equipment can expose you to chemicals, including engine exhaust, phthalates and lead, which are known to the state of California to cause cancer and birth defects or other reproductive harm. Avoid breathing engine exhaust. Do not operate equipment in confined areas. For more information go to [www.P65Warnings.ca.gov](http://www.P65Warnings.ca.gov)

21820

21820

# SPECIFICATIONS



## SP125

	SP80	SP125	SP160
<b>Volume of Air</b>	80 cfm (38 L/s)	125 cfm (59 L/s)	160 cfm (76 L/s)
<b>Minimum Operating Pressure</b>	100 psi (689 kPa)	100 psi (689 kPa)	100 psi (689 kPa)
<b>Maximum Operating Pressure</b>	175 psi (1210 kPa)	175 psi (1210 kPa)	175 psi (1210 kPa)
<b>Exit Velocity</b>	1476 mph (660 M/s)	1476 mph (660 M/s)	1476 mph (660 M/s)
<b>Cutting Edge<sup>1</sup></b>	4 in (10 cm)	4 in (10 cm)	8 in (20 cm)
<b>Operating Weight</b>	6.7 lbs (3.0 kg)	6.7 lbs (3.0 kg)	6.7 lbs (3.0 kg)
<b>Noise Level<sup>2</sup></b>	100 dBA	100 dBA	100 dBA

1. Cutting edge will vary with different soil conditions.
2. Noise levels based upon normal operating conditions.

Specifications subject to change without notice

# OPERATION

## Introduction

This parts manual contains only standard parts. Variations of these parts as well as other special parts are not included. Contact your local MBW distributor for assistance in identifying parts not included in this manual.

## Before Starting & Operating

- REMEMBER! It is the owner's responsibility to communicate information on the safe use and proper operation of this unit to the operators.
- Review ALL of the Safety Precautions listed on page 1 of this manual.
- Familiarize yourself with the operation of the machine and confirm that all controls function properly.
- Know how to STOP the machine in case of an emergency.
- Make sure hands, feet, and clothing are at a safe distance from any moving parts.

## Connecting to Air Compressor

For proper operation, the air supply must deliver the volume and pressure required for the Soil Pick model being used. Refer to SPECIFICATIONS, page 3 for minimum requirements.

1. Start compressor and check pressure gage to verify proper operation of the compressor.
2. Connect air hose to compressor outlet and install safety clips if required.
3. Connect air hose to Soil Pick coupler and install safety clips if required.
4. Open compressor valve to pressurize Soil Pick.

## Starting Soil Pick

**⚠ WARNING ⚠**  
**Never aim the Soil Pick at exposed skin or people.**

1. Aim Soil Pick away from people, and pull the trigger.
2. If the pressure reading is less than 100 psi (indicated as a red section on some gages), the air pressure at the source must be increased.
3. If the pressure reading is greater than 125 psi, the air pressure at the source must be decreased to prevent damage and possible injury.

**⚠ WARNING ⚠**  
**Do not operate the Soil Pick at a pressure greater than 175 psi.**

4. Adjust the rubber deflector so the bottom of the cone is about three inches (3") above the nozzle tip.

## Operating

**⚠ WARNING ⚠**  
**Always wear safety goggles and hearing protection when operating Soil Pick.**

1. If the area to be excavated is covered with grass or other plant material, it may be easier to remove it with a shovel or rake before proceeding with the Soil Pick.
2. Hold the Soil Pick perpendicular to the soil surface to be worked.
3. With the nozzle in contact with the soil, pull the trigger momentarily to break up the soil in immediate contact with the nozzle tip.
4. While keeping the nozzle submerged in the loosened soil, hold the trigger down and work the nozzle in a circular motion.
5. As the soil is loosened and the Soil Pick is worked deeper into the ground, move the deflector up the barrel to minimize scatter.
6. After loosening the soil, it can be easily removed using an industrial vacuum system or using conventional methods.

## Stopping Soil Pick

1. Close compressor valve to release supply pressure to Soil Pick.
2. Aim Soil Pick away from people, and pull the trigger to relieve all residual air pressure in the hose.
3. Disconnect air hose on both ends.
4. Turn compressor OFF.
5. Slowly open compressor valve to relieve air pressure in the tank.

## Tips & Tricks

1. The Soil Pick can be used alone for safe excavation on small jobs, or used as an underground locating and exposing tool in conjunction with higher production excavators, backhoes, and trenchers.

2. The Soil Pick is not an elaborate blow pipe. Conventional blow pipes produce subsonic air stream velocities between 500 and 600 mph, and cannot provide the cutting edge required for soil excavation. Blow pipes can be used for moving loose debris, but even then are outperformed by the Soil Pick.
3. The Soil Pick is a selective excavator. The violent decompression of air is sufficient to loosen porous soil, but will have virtually no effect on non-porous objects such as buried utilities or plant roots.
4. The Soil Pick has a cutting edge of four to eight inches, depending on the model. This means the nozzle must be kept close to the soil for the decompression to be effective. Beyond the cutting edge, substantial decompression has occurred and the Soil Pick becomes a highly effective blower for loose debris.
5. The Soil Pick will not cut through frost, but it will work well below the frost line.
6. The Soil Pick works extremely well in all types of granular soils and cohesive soils with a good granular gradation. The effectiveness will drop off as the granular component in cohesive soils decreases. Wet clay soils may be too plastic to loosen.
7. The Soil Pick does not require lubrication. The air supply must be free of oil to achieve proper performance.
8. The Soil Pick is not designed as an impact or prying tool. The barrel is manufactured of a composite material designed to withstand high internal pressure. It is not designed to withstand prying or impact forces.
9. The Soil Pick is an effective excavation tool even when there is no concerns of buried utilities. In most cases, productivity is enhanced dramatically compared to pick and shovel work.
10. The Soil Pick is highly effective when used to clean saw joints and cracks in concrete. It can grossly outperform a blow pipe, and provide a very clean surface for excellent sealant adhesion.
11. The Soil Pick is an effective tool for nursery applications. Because it is a selective excavator, it will not damage roots. Because it is an air tool, it is also aerating the soil while digging.
12. The Soil Pick has an almost endless list of uses. It can effectively clean barges, railroad cars, construction equipment, and more. It can be used for shallow trenching, post hole digging, stump removal, pothole preparation prior to patching, and many more unique applications.



# SERVICE

Assembly and disassembly should be performed by a service technician who has been factory trained on MBW equipment. The unit should be clean and free of debris. Pressure washing before disassembly is recommended.

- Prior to assembly, wash all parts in a suitable cleaner or solvent.
- Check moving parts for wear and failure. Refer to the Replacement section in this manual for tolerance and replacement cycles.
- All shafts and housings should be oiled prior to pressing bearings. Also, ensure that the bearings are pressed square and are seated properly.
- All bearings should be replaced when rebuilding any exciter or gearbox.
- All gaskets and seals should be replaced after any disassembly.

## Torque Chart

SIZE	GRADE 2	GRADE 5	GRADE 8
1/4-20	49 in•lbs	76 in•lbs	9 ft•lbs
1/4-28	56 in•lbs	87 in•lbs	10 ft•lbs
5/16-18	8 ft•lbs	13 ft•lbs	18 ft•lbs
5/16-24	9 ft•lbs	14 ft•lbs	20 ft•lbs
3/8-16	15 ft•lbs	23 ft•lbs	33 ft•lbs
3/8-24	17 ft•lbs	26 ft•lbs	37 ft•lbs
7/16-14	24 ft•lbs	37 ft•lbs	52 ft•lbs
7/16-20	27 ft•lbs	41 ft•lbs	58 ft•lbs
1/2-13	37 ft•lbs	57 ft•lbs	80 ft•lbs
1/2-20	41 ft•lbs	64 ft•lbs	90 ft•lbs
9/16-12	53 ft•lbs	82 ft•lbs	115 ft•lbs
5/8-11	73 ft•lbs	112 ft•lbs	159 ft•lbs
5/8-18	83 ft•lbs	112 ft•lbs	180 ft•lbs
3/4-16	144 ft•lbs	200 ft•lbs	315 ft•lbs
1-8	188 ft•lbs	483 ft•lbs	682 ft•lbs
1-14	210 ft•lbs	541 ft•lbs	764 ft•lbs
1-1/2-6	652 ft•lbs	1462 ft•lbs	2371 ft•lbs
M 6	3 ft•lbs	4 ft•lbs	7 ft•lbs
M 8	6 ft•lbs	10 ft•lbs	18 ft•lbs
M 10	10 ft•lbs	20 ft•lbs	30 ft•lbs

### CONVERSIONS

in•lbs x 0.083 = ft•lbs

ft•lbs x 12 = in•lbs

ft•lbs x 0.1383 = kg•m

ft•lbs x 1.3558 = N•m

## Service Tools

Part No.	Description
20563	VALVE GREASE, SILICONE, .21 oz
20565	REBUILD KIT, SOIL PICK

## Handle Disassembly

Refer to Handle Assembly, page 12.

1. Remove three screws (#18) securing handle and remove, taking care to not lose spring (#10).
2. Remove two screws (#15) holding bottom cover (#5) and remove cover.
3. Using a wrench across flats on valve spool (#4), loosen and remove screw securing trigger (#8).
4. Use a pick or small screwdriver, remove shaft wiper (#2).
5. Remove snap ring (#15).
6. Using a wrench across the flats on valve spool (#4), remove screw securing lower spool (#7).
7. Pull spool (#4) out the top of the body. Guide (#6) will come out with spool.
8. Push lower valve spool (#7) out the bottom of the valve body (#9).
9. Insert a long standard bladed screwdriver through the inlet of the valve body to unscrew the gage (#11).

## Handle Assembly

Refer to Handle Assembly, page 12.

**Note: All o-rings and seals should be replaced after any disassembly.**

1. Thread gage (#11) into body (#9) using a long standard blade screwdriver and thread sealing compound.
2. Place o-rings (#12, 14) into grooves on valve spool (#4). Coat o-rings with grease and insert spool (#4) into body (#9).
3. Place o-ring (#14) into groove on lower valve spool (#7), coat o-ring with grease, and insert into bottom of body. Secure to valve spool (#14) with screw (#17). Use wrench across flats on valve spool to tighten screw.
4. Place o-ring in groove on upper guide (#6), coat with grease, and insert into main body over the valve spool.

5. Insert retaining ring (#15) and make certain it is fully seated in groove.
6. Coat the inner diameter of the dust wiper (#2) with grease and insert into main body. The lip of the seal should be facing out, and the shoulder should be flush with the surface of the body.
7. Attach trigger (#8) to valve spool with screw (#17). Do not overtighten screw. place spring in the well of the trigger (#8).
8. Attach Handle (#3) to body with three screws (#17). Use Medium strength loctite on these screws.
9. Assemble lower cover (#5) to body with two screws (#15)
10. Test action of trigger to ensure complete closing of valve after trigger is released.

## Parts Replacement Cycles and Tolerances

<b>Bearings</b>	Replace anytime a bearing is rough, binding, discolored or removed from housing or shaft.
<b>Hardware</b>	Replace any worn or damaged hardware as needed. Replacement hardware should be grade 5 and zinc plated unless otherwise specified.
<b>Safety Decals</b>	Replace if they become damaged or illegible.
<b>Seals &amp; Gaskets</b>	Replace if a leak is detected and at every overhaul or tear down.

**This page intentionally left blank.**

# REPLACEMENT PARTS

---

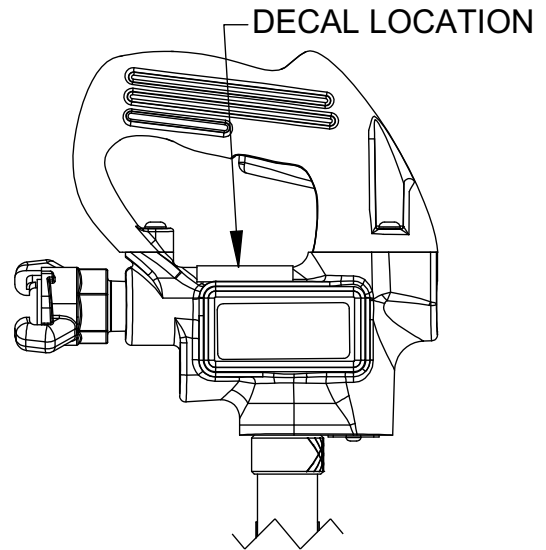
The warranty is stated in this book on page 14. Failure to return the Warranty Registration Card renders the warranty null and void.

MBW has established a network of reputable distributors/dealers with trained mechanics and full facilities for maintenance and rebuilding, and to carry an adequate parts stock in all areas of the country. Their sales engineers are available for professional consultation. If you cannot locate an MBW distributor in your area, contact MBW or one of our Sales Branches listed below.

When ordering replacement parts, be sure to have the following information available:

- Model and Serial Number of machine when ordering MBW parts
- Model and Serial Number of engine when ordering engine parts
- Part Number, Description, and Quantity
- Company Name, Address, Zip Code, and Purchase Order Number
- Preferred method of shipping

**REMEMBER - You own the best! If repairs are needed, use only MBW parts purchased from authorized MBW distributors.**



The unit's serial number can be found in the following locations:

- The serial number decal is located on the handle body adjacent to the pressure gage.

**Write Model Number here**

**Write Serial Number here**

---

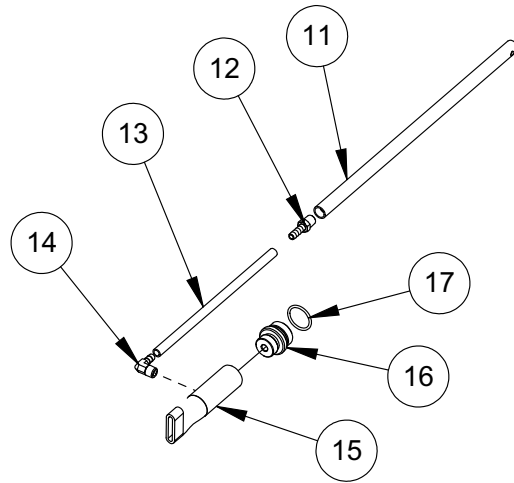
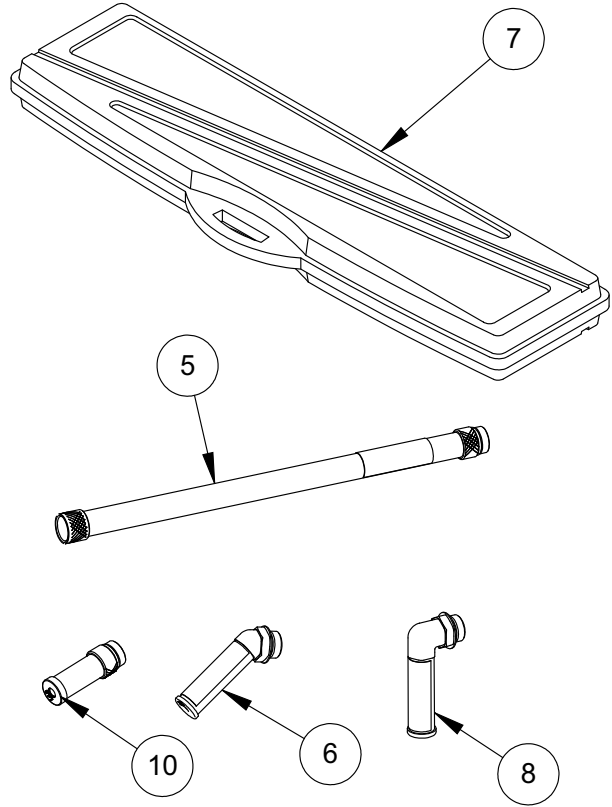
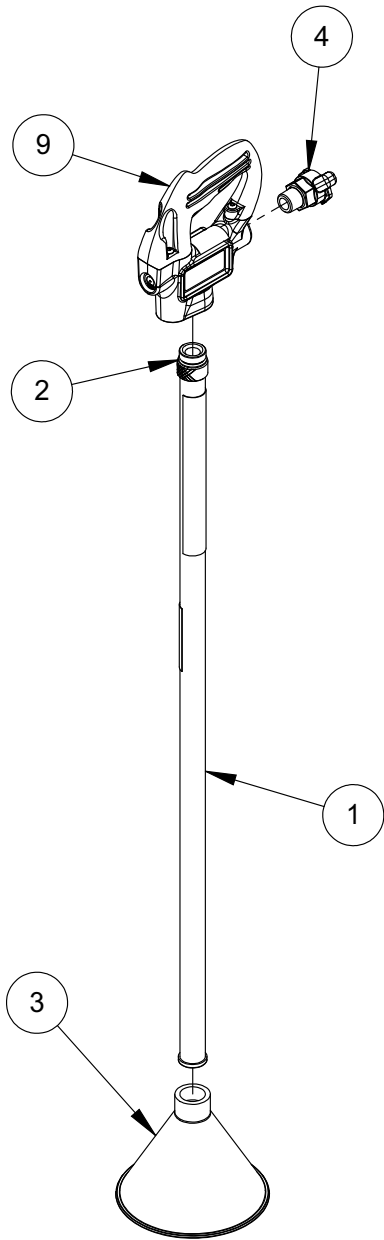
## Contact Information

### **MBW, Inc.**

250 Hartford Rd • PO Box 440  
Slinger, WI 53086-0440  
Phone: (262) 644-5234  
Fax: (262) 644-5169  
Email: [mbw@mbw.com](mailto:mbw@mbw.com)  
Website: [www.mbw.com](http://www.mbw.com)

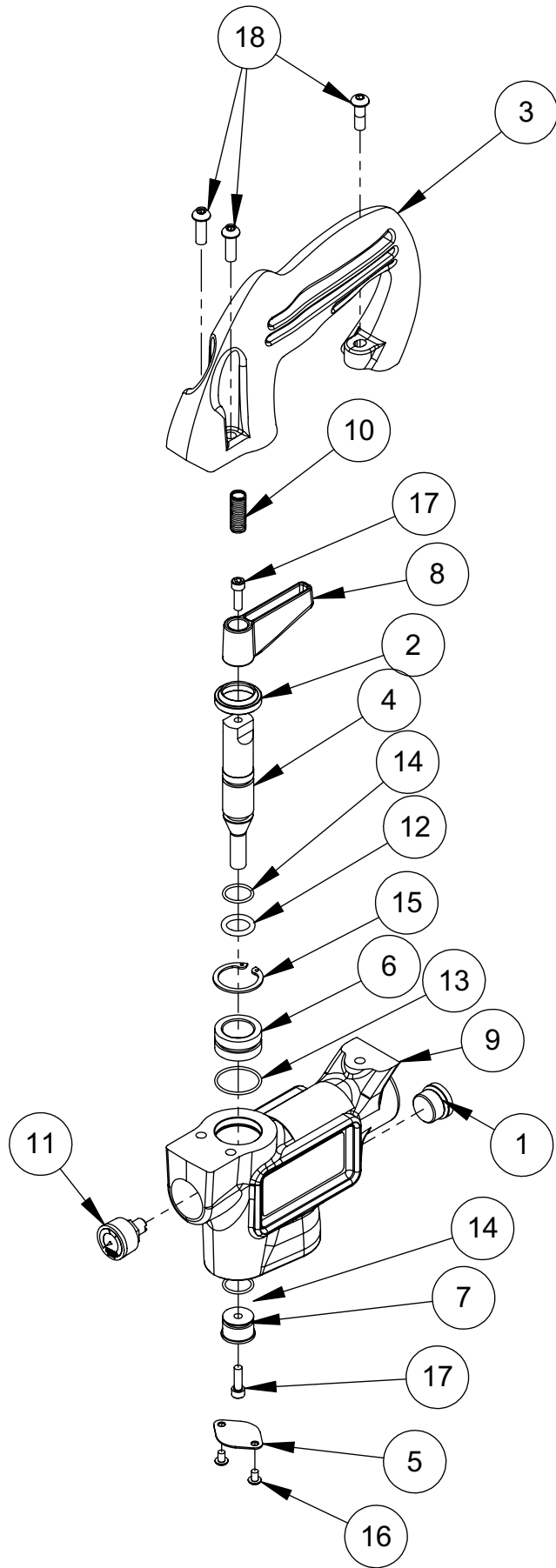
### **MBW Europe Ltd.**

Units 2 & 3 Cochrane Street  
Bolton BL3 6BN  
England, UK  
Phone: +44 (0)1204 387784  
Fax: +44 (0) 1204 387797  
Email: [saleseurope@mbw.com](mailto:saleseurope@mbw.com)  
website: [mbw-europe.com](http://mbw-europe.com)



## Main Assembly

ITEM	PART NO.	DESCRIPTION	QTY
1.	21167	BARREL ASSEMBLY, 65 CFM (Includes 1,3,4)	1
	03820	BARREL ASSEMBLY, 80 CFM (Includes 1,3,4)	
	03813	BARREL ASSEMBLY, 125 CFM (Includes 1,3,4)	
	17594	BARREL ASSEMBLY, 160 CFM (Includes 1,3,4)	
2.	03817	O-RING	1
3.	03829	DEFLECTOR	1
4.	03841	FITTING, COUPLER DIXON AM-7 (CLAW COUPLER)	1
	17599	FITTING, COUPLER, DIXON DML12 (QUICK CONNECT)	1
5.	03848	BARREL ASM, 42" EXTENSION	1
	03849	BARREL ASM, 21" EXTENSION	1
6.	21613	BARREL ASM, 36-1/4 EXTENSION (INCLUDES 03829 DEFLECTOR)	1
	17748	NOZZLE, 80CFM, 45 DEG	1
	17749	NOZZLE, 125CFM, 45 DEG	1
	17750	NOZZLE, 160CFM, 45 DEG	1
7.	19358	KIT, CASE, SOIL PICK	1
8.	19750	NOZZLE, 65 CFM, 90 DEG	1
	19751	NOZZLE, 80 CFM, 90 DEG	1
	19749	NOZZLE, 125 CFM, 90 DEG	1
	19752	NOZZLE, 160 CFM, 90 DEG	1
9.	20450	HANDLE ASM, ERGO	1
10.	21609	BARREL ASM, 65 CFM, 2-1/2"	1
	21608	BARREL ASM, 80 CFM, 2-1/2"	1
	21377	BARREL ASM, 125 CFM, 2-1/2"	1
	21610	BARREL ASM, 160 CFM, 2-1/2"	1
11.	21441	INLET PIPE	1
12.	21442	FITTING, 1/4 NPT X 5/16 HOSE	1
13.	21443	HOSE, 5/16 X 10'	1
14.	21375	ELBOW, 5/16 HOSE X 1/4 NPT	1
15.	21379	SPRAY NOZZLE, PAINTED	1
16.	21373	ADAPTER, SPRAYER, 125 CFM	1
17.	03817	ORING, TUBE ADAPTER END	1
	21372	SPRAYER NOZZLE, 125 CFM (INCLUDES ITEMS 11-17)	



# Handle Assembly





# WARRANTY

1. IN GENERAL - The warranties described in this document are provided by M-B-W, INC. and MBW EUROPE, LTD. ("MBW") to define what is, what is not, and for how long machines and parts are covered against material defects and/or defective workmanship. To obtain warranty service, the purchaser must, within the Warranty Period (defined in Paragraph 3): (i) report the product defect to an authorized repair center, (ii) make a written request for repair, (iii) provide proof of purchase to the authorized repair center, and (iv) deliver the equipment to the authorized repair center. A list of authorized repair centers is available on the MBW website (mbw.com) or by contacting MBW at 800-678-5237.

2. COVERED - MBW's obligation under this limited warranty is limited to the cost of the parts and the labor to repair any defect in material and/or workmanship at an authorized MBW repair center. Transportation charges are not covered by this limited warranty.

3. WARRANTY PERIODS - The Warranty Period begins on, as applicable: (i) the product purchase date by an end user or (ii) the first day the product is put into rental or two years after invoice date from MBW to Dealer, whichever starts the warranty period first. To insure that your warranty is in place, fill out the warranty card and mail it in or register your product online at [www.mbw.com/service-support/warranty-registration](http://www.mbw.com/service-support/warranty-registration). The warranty is nontransferable.

The Warranty Period ends after:

- A. New Ground compaction equipment - 2 years.
  - B. New Concrete finishing equipment - 1 year.
  - C. New Utility equipment - 1 year.
  - D. Demonstration equipment - 6 months.
  - E. Wear parts: lubricants, filters, belts and shock mounts - 30 days.
4. NOT COVERED- This warranty does not include, and MBW specifically excluded from any warranty:
- A. Used equipment - all used equipment is not warranted and is sold 'as is' 'where is' with all defects.
  - B. Replacement electrical parts, including but not limited to: electric motors, circuit boards, switches, are not warranted or returnable.
  - C. OEM: engines, batteries, and chargers. Those warranties are covered by the manufacturer.
  - D. Consumable parts: trowel and screed blades.
  - E. Equipment that has been: altered, abused, neglected, not maintained, or modified to run outside its specifications. Any modification to the machine or its parts makes this warranty null and void.
  - F. Other: damage to a product from normal wear, air freight, overtime, pickup and delivery, temporary replacement rentals, freight damage, or other similar incidents.
  - G. Product used in a fashion it was not designed for.
  - H. Parts and labor not performed by authorized dealers.

It is at MBW's discretion if warranty applies and has the right to adjust labor rates on a claim by claim basis.

**5. OTHER - IT IS EXPRESSLY AGREED THAT THIS SHALL BE THE SOLE AND EXCLUSIVE REMEDY UNDER THIS WARRANTY. UNDER NO CIRCUMSTANCES SHALL MBW BE LIABLE FOR ANY COSTS, LOSS, EXPENSE, DAMAGE, SPECIAL DAMAGES, DIRECT DAMAGES, INCIDENTAL DAMAGES, EXEMPLARY, CONSEQUENTIAL, OR PUNITIVE DAMAGES ARISING DIRECTLY OR INDIRECTLY FROM THE USE OF MBW PRODUCT OR DAMAGES FOR LOSS OF USE, LOSS OF ANTICIPATED PROFITS, INCOME, OR ECONOMIC LOSSES OF ANY KIND. MBW'S LIABILITY TO BUYER UNDER THESE WARRANTIES FOR THE PRODUCT IS LIMITED AS SET FORTH HEREIN, WHETHER BASED UPON WARRANTY, CONTRACT, NEGLIGENCE, TORT, STRICT LIABILITY OR ANY OTHER THEORY OF LIABILITY, INCLUDING BUT NOT LIMITED TO FRAUD, MISREPRESENTATION, BREACH OF CONTRACT, PERSONAL INJURY, PRODUCTS LIABILITY OR ANY OTHER THEORY.**

MBW'S LIABILITY UNDER ANY WARRANTY HEREUNDER, WHETHER EXPRESS OR IMPLIED, SHALL NOT EXCEED THE COST OF REPAIR OR REPLACEMENT OF DEFECTIVE PARTS OF THE PRODUCT OR THE PRODUCT. BUYER MAY NOT BRING ANY ACTION UNDER THESE WARRANTIES MORE THAN ONE YEAR AFTER THE CAUSE OF ACTION HAS ACCRUED.

**THE FORGOING WARRANTY IS EXPRESSED IN LIEU OF ALL OTHER WARRANTIES, EXPRESSED OR IMPLIED, INCLUDING THE WARRANTIES OF MERCHANTABILITY, FITNESS FOR USE, AND FITNESS FOR A PARTICULAR PURPOSE, AND ALL OTHER OBLIGATIONS OR LIABILITY ON MBW'S PART. MBW SPECIFICALLY DISCLAIMS AND EXCLUDES ANY AND ALL WARRANTIES OF MERCHANTABILITY AND FITNESS FOR A PARTICULAR PURPOSE.**

**MBW NEITHER ASSUMES NOR AUTHORIZES ANY OTHER PERSON TO ASSUME ON BEHALF OF MBW ANY OTHER LIABILITY OR WARRANTY IN CONNECTION WITH THE SALE OR SERVICE OF ANY MBW PRODUCT.**

Some states do not allow limitations on how long an implied warranty lasts, so the above limitation may not apply to you. This warranty gives you specific legal rights, and you may also have other rights which vary from state to state.