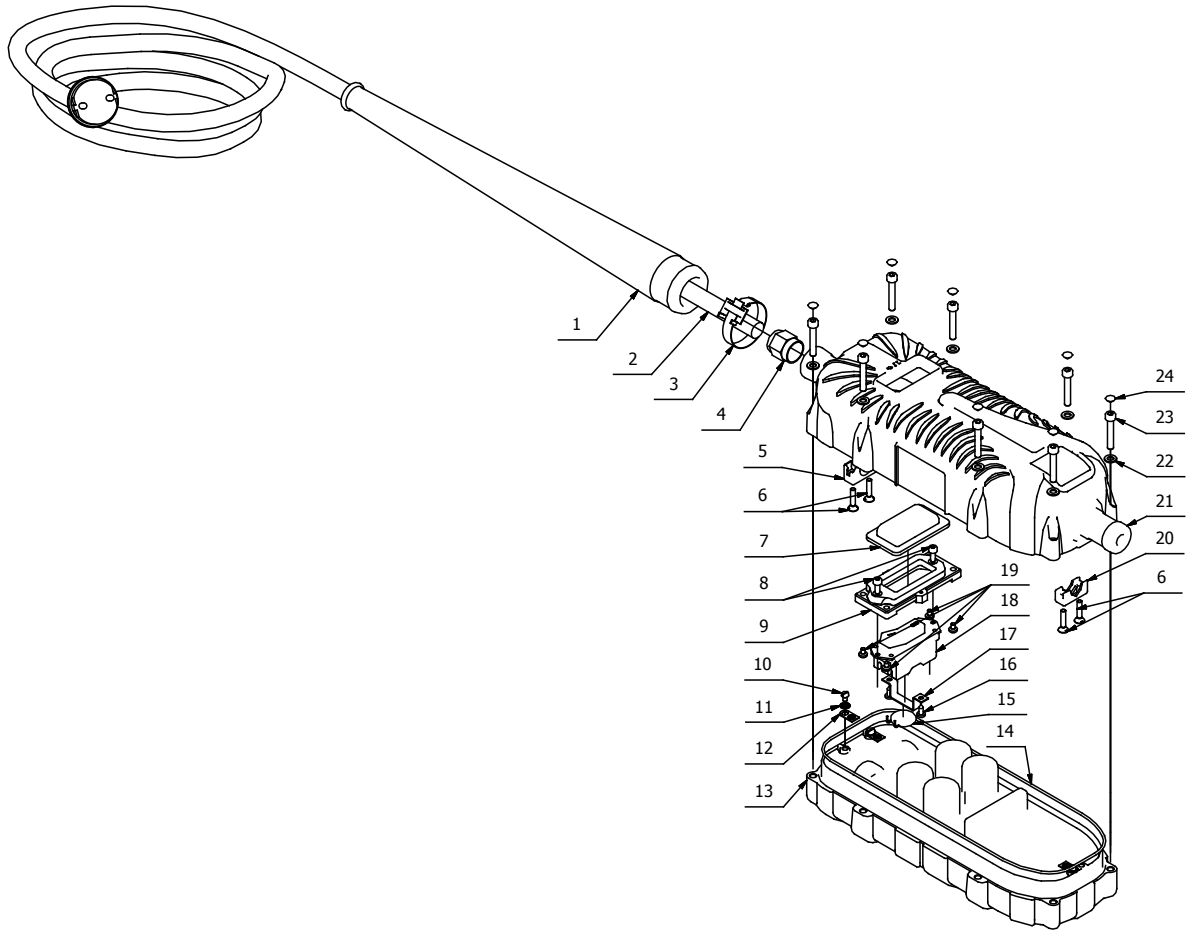




Review 1 . From serial number nr. 16174001

ELECTRONIC CONVERTER SPYDER PRO



	ARTICLE	DESCRIPTION	QUANTITY
1	81207	REINFORCEMENT CABLE	1.0000
2	103917	CABLE H07RN-F 3G 2,5 mm ²	15.0000
3	107544	CLAMP	1.0000
4	103729	PACKING GLAND without NUT PG16	1.0000
5	81675	CABLE-PRESS	1.0000
6	102513	BOLT CURVED M 4×20 DIN 965 4.8	4.0000
7	80541	SPYDER SWITCH COVER	1.0000
8	102303	ALLEN BOLT M 4×10 DIN 912 8.8	2.0000
9	80540	SPYDER SWITCH SUPPORT	1.0000
10	102909	BOLT M 4×10 DIN 7985	3.0000
11	102103	STAR WASHER 4,3 A DIN 6798	3.0000
12	107236	EARTH PLATE	3.0000
13	80534	BOX + PLATE PRO 1V ASSEMBLY	1.0000
14	101816	O-RING 202,87×2,62	1.0000
15	128038	VARISTOR 175VAC	1.0000
16	102501	SELF-TAPPING SCREW 3,9×9,5 DIN 7981	2.0000
17	80543	SWITCH HOLDER	1.0000
18	103995	SWITCH SPYDER HP	1.0000
19	102905	BOLT M 4×8 DIN 7985	4.0000
20	80607	CABLES CLAMP	1.0000
21	80514	HOUSING	1.0000
22	102117	WASHER AET 5,3	8.0000
23	102308	ALLEN BOLT M 5×30 DIN 912 8.8	8.0000
24	96006	BOLT CAP	8.0000