

OPERATOR'S SAFETY AND SERVICE MANUAL



GPR44



VIBRATORY PLATES

MBW, Inc.
250 Hartford Rd • PO Box 440
Slinger, WI 53086-0440
Phone: (262) 644-5234
Fax: (262) 644-5169
Email: mbw@mbw.com
Website: www.mbw.com

MBW Europe Ltd.
Units 2&3 CochraneStreet
Bolton BL3 6BN
England, UK
Phone: 44 (0) 01204 387784
Fax: 44 (0) 01204 387797
E-mail: mbweurope@mbw.com
Website: www.mbweurope.com

©MBW Europe 2019

TABLE OF CONTENTS

Safety Information	1		
Introduction	1	Parts Replacement Cycles and Tolerances	7
Safety Precautions	1	Replacement Parts	8
 		Main Assembly	9
Specifications	2	10
Operation	3	Handle Assembly	11
Introduction	3	12
Before Starting & Operating	3	Base Plate Assembly	13
Engine	3	14
Stopping Engine	4	Vibrator Assembly	15
Lifting/Transporting	4	16
 		Hand Pump Assembly	17
Maintenance	5	18
Maintenance Schedule	5	Water Tank Assembly (optional)	19
Fluid Levels	5	20
Engine Maintenance	5	Warranty	21
Engine Speed	5		
Service	6		
Torque Chart	6		
Service Tools	6		



WARNING



CALIFORNIA PROPOSITION 65 WARNING

Engine exhaust and some of its constituents are known in the state of California to cause cancer, birth defects, and other reproductive harm.

SAFETY INFORMATION

Introduction



This Safety Alert Symbol is used to call attention to items or operations which may be dangerous to those operating or working with this equipment. The symbol can be found throughout this manual and on the unit. Please read these warnings and cautions, along with all decals, carefully before attempting to operate the unit. Make sure every individual who operates or works with this equipment is familiar with all safety precautions.



GENERAL WARNING. Indicates information important to the proper operation of the equipment. Failure to observe may result in damage to the equipment and/or severe bodily injury or death.



GENERAL CAUTION. Indicates information important to the proper operation of the equipment. Failure to observe may result in damage to the equipment.

Safety Precautions



LETHAL EXHAUST GAS: An internal combustion engine discharges carbon monoxide, a poisonous, odorless, invisible gas. Death or serious illness may result if inhaled. Operate only in an area with proper ventilation. **NEVER OPERATE IN A CONFINED AREA!**



DANGEROUS FUELS: Use extreme caution when storing, handling and using fuels, as they are highly volatile and explosive in vapor state. Do not add fuel while engine is running. Stop and cool the engine before adding fuel. **DO NOT SMOKE!**



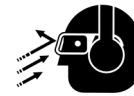
SAFETY GUARDS: It is the owner's responsibility to ensure that all guards and shields are in place and in working order.



IGNITION SYSTEMS: Breakerless, magneto, and battery ignition systems can cause severe electrical shocks. Avoid contacting these units or their wiring.



SAFE DRESS: Do not wear loose clothing, rings, wristwatches, etc. near machinery.



NOISE PROTECTION: Wear OSHA specified hearing protection devices.



EYE PROTECTION: Wear OSHA specified eye shields, safety glasses, and sweat bands.



FOOT PROTECTION: Wear OSHA specified steel-tipped safety shoes.



HEAD PROTECTION: Wear OSHA specified safety helmets.



DUST PROTECTION: Wear OSHA specified dust mask or respirator.

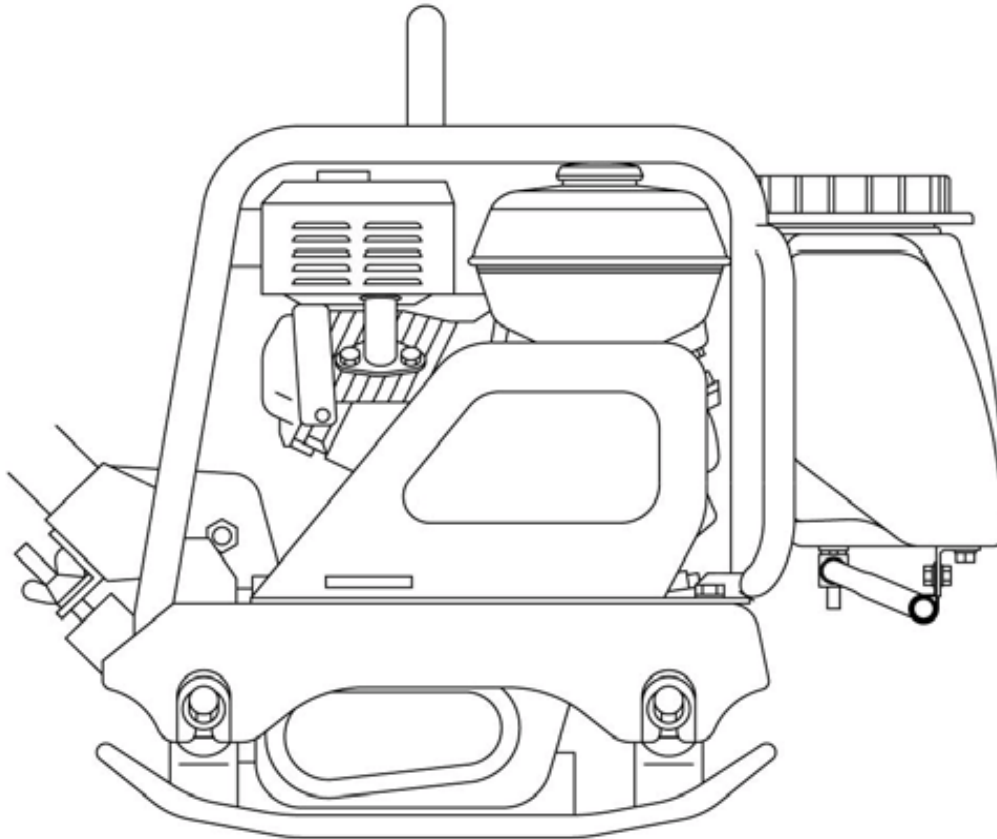
OPERATOR: Keep children and bystanders off and away from the equipment.

REFERENCES: For details on safety rules and regulations in the United States, contact your local Occupational Safety and Health Administration (OSHA) office. Equipment operated in other countries must be operated and serviced in accordance and compliance with any and all safety requirements of that country. The publication of these safety precautions is done for your information. MBW does not by the publication of these precautions, imply or in any way represent that these are the sum of all dangers present near MBW equipment. If you are operating MBW equipment, it is your responsibility to insure that such operation is in full accordance with all applicable safety requirements and codes. All requirements of the United States Federal Occupational Safety and Health Administration Act must be met when operated in areas that are under the jurisdiction of that United States Department.

Safety Decals

Carefully read and follow all safety decals. Keep them in good condition. If decals become damaged, replace as required. If repainting the unit, replace all decals. Decals are available from authorized MBW distributors. Order the decal set listed on the following page(s).

SPECIFICATIONS



	GRP44H4	GPR44D
CENTRIFUGAL FORCE	1530 kgf (15 kN)	1530 kgf (15 kN)
EXCITER (VPM)	6000 vpm	6000 vpm
TRAVEL SPEED	82 ft./min. (25 m/min.)	82 ft./min. (25 m/min.)
WIDTH x LENGTH	35 X 88.6 cm	35 X 88.6 cm
OPERATING WEIGHT	80 kg	80 kg
ENGINE	Honda GX160	Robin EX17
FUEL	Gasoline	Diesel

Specifications subject to change without notice.

No universal method or formula has been accepted for determining "Compaction Force". All manufactures employ their own method or formula.

OPERATION

Introduction

MBW equipment is intended for use in very severe applications. They are powered by four cycle engines and are available in different sizes and a selection of engines.

The MBW Reversible Plate Compactor is intended to compact various soil types. Recommended soil types include granular soils, gravel/sand mixtures, and semi-granular cohesive soils.

The MBW Reversible Plate Compactor is not recommended for use in cohesive soils nor for very hard surfaces such as concrete or asphalt.

This parts manual contains only standard parts. Variations of these parts as well as other special parts are not included. Contact your local MBW distributor for assistance in identifying parts not included in this manual.

Before Starting & Operating

After receiving your new MBW Inc. Reversible Plate Compactor, inspect it for any visible damage done during shipment. Make sure the engine throttle works properly. Contact your nearest MBW Inc. Distributor if there are any problems.

Your new MBW Inc. Reversible Plate Compactor is shipped complete and ready for use.

- **REMEMBER!** It is the owner's responsibility to communicate information on the safe use and proper operation of this unit to the operators.
- Review ALL of the Safety Precautions listed on page 1 of this manual.
- Familiarize yourself with the operation of the machine and confirm that all controls function properly.
- Know how to STOP the machine in case of an emergency.
- Make sure hands, feet, and clothing are at a safe distance from any moving parts.
- **OIL LEVEL** - Check the oil level in the engine. For more information see "Lubrication" under the respective engine's "Owners Manual" or the Maintenance section of this manual.
- **AIR CLEANER** - Check to ensure element is in good condition and properly installed.
- **FUEL SUPPLY** - The engines on MBW Inc. compaction equipment require an automotive grade of clean, fresh,

diesel fuel or unleaded gasoline dependent on engine type. (See Engine "Owner's Manual")

- **FUEL FILTER** - If clogged or damaged, replace.

Engine

Refer to the engine manual for location of all controls and features.

Stopping Engine

1. To stop the compactor from traveling forward, return the engine throttle to idle position.
2. Whenever possible, it is recommended to let the engine idle for one or two minutes before stopping.
3. Gas engines: Turn the switch on the engine to "STOP" position.
Diesel engines: Move the throttle control to the "STOP" position.
4. Turn off the fuel valve where applicable.

Lifting/Transporting

1. Lift unit by center lifting eye on roll cage.
2. The unit must be transported in the upright position. DO NOT lay machine on its side.
3. Secure or tiedown unit using lift eye or roll cage when transporting.

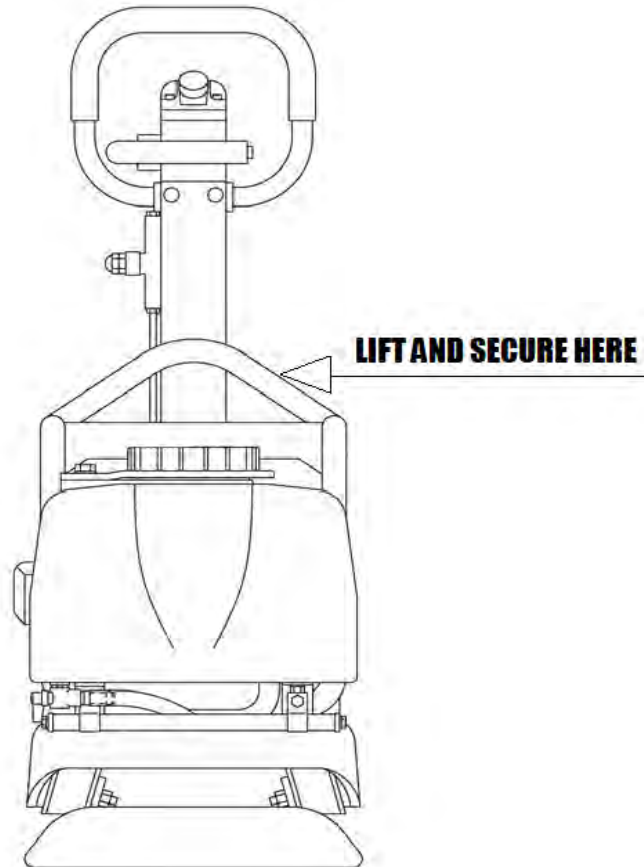


Always stop the engine before:

Adding fuel.

Leaving the equipment unattended for any amount of time.

Before making any repairs or adjustments to the machine.



MAINTENANCE



WARNING



Always exercise the stopping procedure before servicing or lubricating the unit.

After servicing the unit, replace and fasten all guards, shields, and covers to their original positions before resuming operation.



CAUTION



Always verify fluid levels and check for leaks after changing fluids.

Do not drain oil onto ground, into open streams, or down sewage drains.

Maintenance Schedule

SYSTEM	MAINTENANCE	EACH USE	EVERY 50 HOURS	EVERY 100 HOURS	EVERY 250 HOURS	YEARLY
Engine	Refer to engine operator/owner manual	X				
	Clean cooling fins		X			X
Belt	Check for wear and retighten			X		
Exciter	Check for oil leaks	X				
	Change oil				X	X
	Tighten Bolts ¹		X			X
Hydraulics	Check level and refill			X		
Hardware	Check and tighten as needed ¹		X			X
Shockmounts	Check for cracks or tears		X			X

1. Check all hardware after the first 5 hours of use, then follow the maintenance schedule.

Fluid Levels

SYSTEM	FLUID VOLUME	RECOMMENDED OIL
Exciter	24 oz.	MBW Ground Pounder [®] Exciter Oil ¹
Hydraulic Oil	4 oz.	Chevron AW ISO or Rykon 32
Engine	Refer to engine operator/owner manual	

1. MBW #01058---- 6-Pack (8 oz. bottles)
 MBW #17320---- 1 quart (32 oz.)

Engine Maintenance

Refer to the engine owner's manual for maintenance intervals and procedures.

Engine Speed

- Engine speed is factory set.
Do not tamper with the governor setting. The governor establishes safe operating limits which must not be exceeded.
- Refer to the engine Owner's Manual for procedure on setting operating and idle speeds.

SERVICE

Assembly and disassembly should be performed by a service technician who has been factory trained on MBW equipment. The unit should be clean and free of debris. Pressure washing before disassembly is recommended.

- Prior to assembly, wash all parts in a suitable cleaner or solvent.
- Check moving parts for wear and failure. Refer to the Replacement section in this manual for tolerance and replacement cycles.
- All shafts and housings should be oiled prior to pressing bearings. Also, ensure that the bearings are pressed square and are seated properly.
- All bearings should be replaced when rebuilding any exciter or gearbox.
- All gaskets and seals should be replaced after any disassembly.

Service Tools

Part No.	Description
17320	Ground Pounder® Exciter Oil
016129	Rubber Test Mat

Torque Chart

SIZE	GRADE 2	GRADE 5	GRADE 8
1/4-20	49 in•lbs	76 in•lbs	9 ft•lbs
1/4-28	56 in•lbs	87 in•lbs	10 ft•lbs
5/16-18	8 ft•lbs	13 ft•lbs	18 ft•lbs
5/16-24	9 ft•lbs	14 ft•lbs	20 ft•lbs
3/8-16	15 ft•lbs	23 ft•lbs	33 ft•lbs
3/8-24	17 ft•lbs	26 ft•lbs	37 ft•lbs
7/16-14	24 ft•lbs	37 ft•lbs	52 ft•lbs
7/16-20	27 ft•lbs	41 ft•lbs	58 ft•lbs
1/2-13	37 ft•lbs	57 ft•lbs	80 ft•lbs
1/2-20	41 ft•lbs	64 ft•lbs	90 ft•lbs
9/16-12	53 ft•lbs	82 ft•lbs	115 ft•lbs
5/8-11	73 ft•lbs	112 ft•lbs	159 ft•lbs
5/8-18	83 ft•lbs	112 ft•lbs	180 ft•lbs
3/4-16	144 ft•lbs	200 ft•lbs	315 ft•lbs
1-8	188 ft•lbs	483 ft•lbs	682 ft•lbs
1-14	210 ft•lbs	541 ft•lbs	764 ft•lbs
1-1/2-6	652 ft•lbs	1462 ft•lbs	2371 ft•lbs
M 6	3 ft•lbs	4 ft•lbs	7 ft•lbs
M 8	6 ft•lbs	10 ft•lbs	18 ft•lbs
M 10	10 ft•lbs	20 ft•lbs	30 ft•lbs
CONVERSIONS			
in•lbs x 0.083 = ft•lbs			
ft•lbs x 12 = in•lbs			
ft•lbs x 0.1383 = kg•m			
ft•lbs x 1.3558 = N•m			

Parts Replacement Cycles and Tolerances

Bearings	Replace anytime a bearing is rough, binding, discolored or removed from housing or shaft.
Clutch	Replace clutch if it does not disengage below 1800 rpm.
Engine Components	Refer to your engine manufacturer's Owner's Manual.
Hardware	Replace any worn or damaged hardware as needed. Replacement hardware should be grade 5 and zinc plated unless otherwise specified.
Safety Decals	Replace if they become damaged or illegible.
Seals & Gaskets	Replace if a leak is detected and at every overhaul or teardown.
V-Belts	Replace if cracked, torn, or stretched to the point the belt won't tension properly.

REPLACEMENT PARTS

The warranty is stated in this book on page 34. Failure to return the Warranty Registration Card renders the warranty null and void.

MBW has established a network of reputable distributors/dealers with trained mechanics and full facilities for maintenance and rebuilding, and to carry an adequate parts stock in all areas of the country. Their sales engineers are available for professional consultation. If you cannot locate an MBW distributor in your area, contact MBW or one of our Sales Branches listed below.

When ordering replacement parts, be sure to have the following information available:

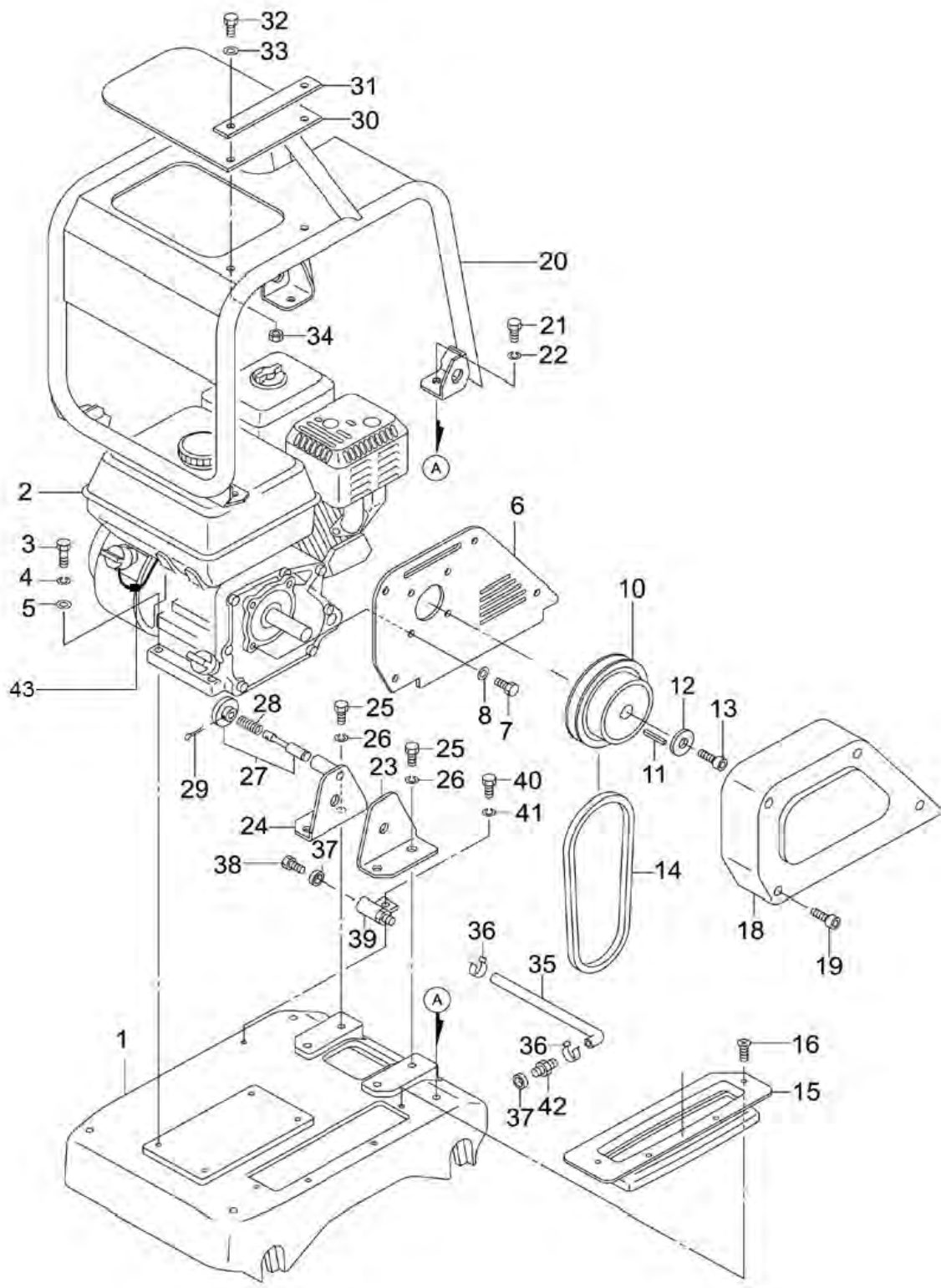
- Model and Serial Number of machine when ordering MBW parts
- Model and Serial Number of engine when ordering engine parts
- Part Number, Description, and Quantity
- Company Name, Address, Zip Code, and Purchase Order Number
- Preferred method of shipping

REMEMBER - You own the best! If repairs are needed, use only MBW parts purchased from authorized MBW distributors.

Write Model Number here

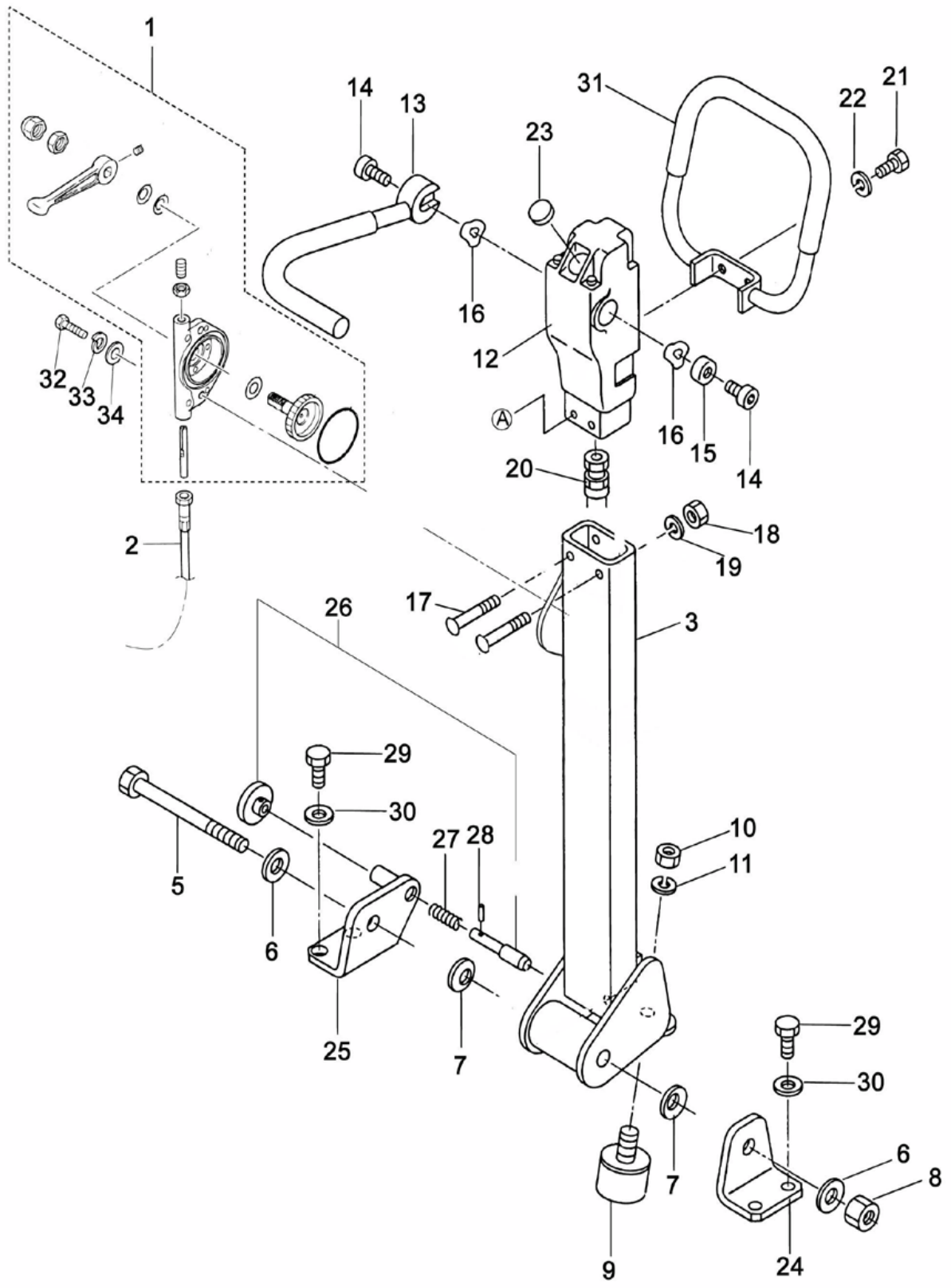
Write Serial Number here

This page is intentionally blank



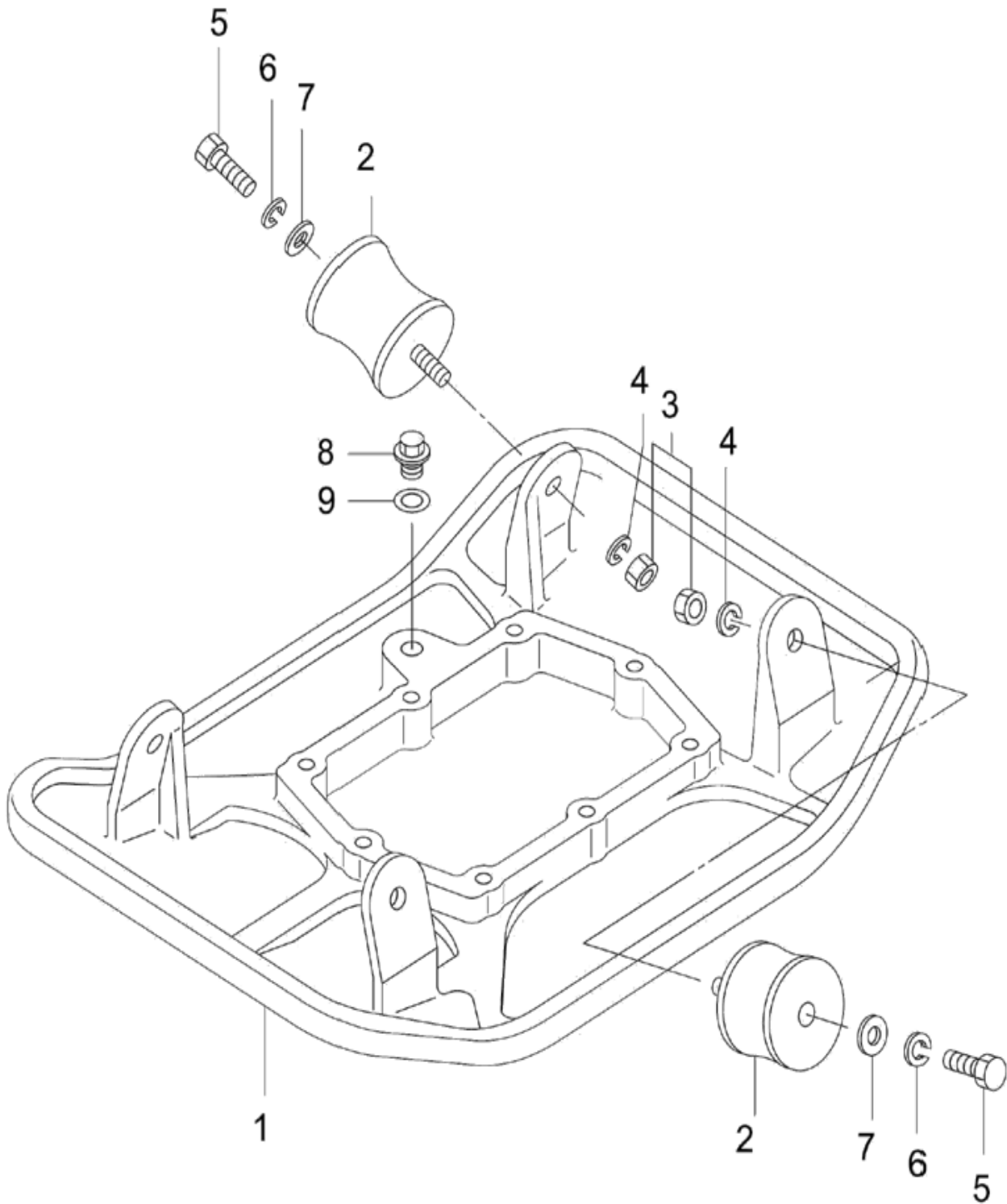
Main Assembly

S/NO	PART NO	DESCRIPTION	QTY	REMARK
1	MBW-60-1B	BASE	1	
2	01444	HONDA GX160	1	
3	MBW-60-3B	BOLT M8X40T	4	
4	MBW-60-4B	SW M8	4	
5	MBW-60-5B	PW M8	4	
6	MBW-60-6B	BELT COVER PLATE	1	
7	F052406HCS	BOLT	4	
8	F05SW	PLAIN WASHER	4	
10	MBW-60-10B	CLUTCH ASSEMBLY	1	
11	MBW-60-11B	KEY	1	
12	01099	COUNTERSUNK WASHER	1	
13	F052408FSS	FLAT HEAD SOCKET SCREW	1	
14	MBW-60-14B	V-BELT	1	
15	MBW-60-15B	DUST COVER	1	
16	MBW-60-16B	FLAT HEAD SCREW M6X10T	4	
18	MBW-60-18B	BELT COVER OUT	1	
19	MBW-60-19B	SOCKET HEAD BOLT M8X70T	4	
20	MBW-60-20B	GUARD FRAME	1	
21	MBW-60-21B	BOLT M10X30T	4	
22	MBW-60-22B	SW M10	4	
23	MBW-60-23B	STAY (L) HANDLE	1	
24	MBW-60-24B	STAY (R) HANDLE	1	
25	MBW-60-25B	BOLT M10X30T	4	
26	MBW-60-26B	SW M10	4	
27	MBW-60-27B	STOPPER, GRIP SET	1	
28	MBW-60-28B	SPRING 1.2-10-29	1	
29	MBW-60-29B	SPRING PIN 2.5X16	1	
30	MBW-60-30B	RUBBER COVER	1	
31	MBW-60-31B	PLATE, RUBBER COVER	1	
32	MBW-60-32B	BOLT M6X25T	2	
33	MBW-60-33B	PW M6	2	
34	MBW-60-34B	NYLON NUT M6	2	
35	MBW-60-35B	DRAIN HOSE	1	
36	MBW-60-36B	HOSE BAND 11.5D	2	
37	MBW-60-37B	WASHER, DRAIN PLUG	2	
38	MBW-60-38B	BOLT, DRAIN PLUG	1	
39	MBW-60-39B	JOINT	1	
40	MBW-60-40B	BOLT M8X20T	1	
41	MBW-60-41B	SW M8	1	
42	MBW-60-42B	UNION	1	
42	07592	SPLICE TERMINAL	1	



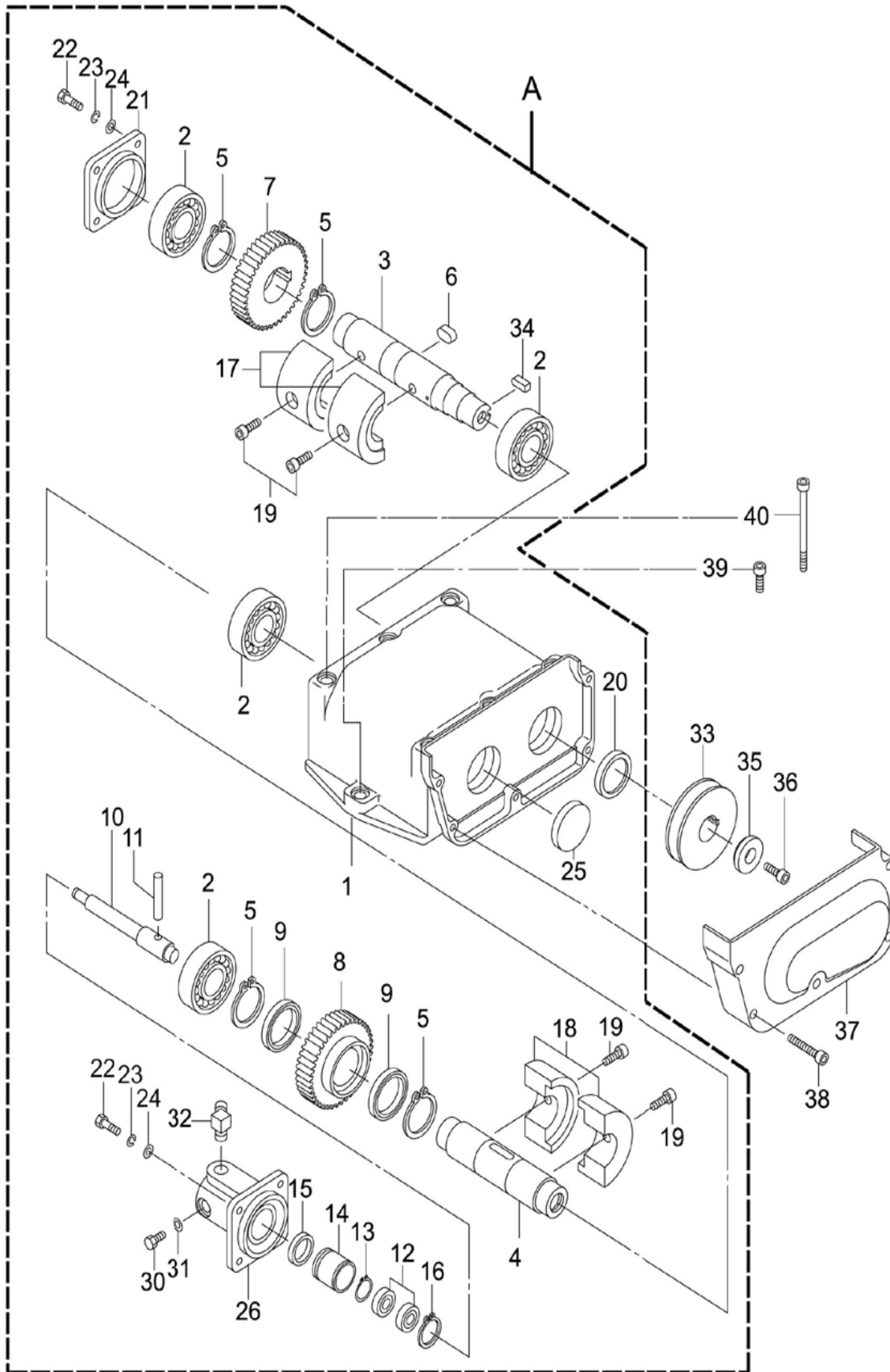
Handle Assembly

S/NO	PART NO	DESCRIPTION	QTY	REMARK
1	MBW-60-1D	THROTTLE LEVER ASSEMBLY	1	
2	MBW-60-2D	THROTTLE WIRE	1	
3	MBW-60-3D	HANDLE AY	1	
5	MBW-60-5D	BOLT M16X145T	1	
6	MBW-60-6D	PW M16	2	
7	MBW-60-7D	CONICAL SPRING VASHER M16	2	
8	MBW-60-8D	NUT M16	2	
9	MBW-60-9D	SHOCK ABSORBER, STOPPER	1	
10	MBW-60-10D	NUT M10	1	
11	MBW-60-11D	SW M10	1	
12	MBW-60-12D	HAND PUMP ASSEMBLY	1	
13	MBW-60-13D	TRAVEL LEVER	1	
14	MBW-60-14D	SOCKET HEAD BOLT M10X20T	2	
15	MBW-60-15D	COLLAR	1	
16	MBW-60-16D	WAVE WASHER 15.5X20X0.3	4	
17	MBW-60-17D	PUMP HOLDER M8X50T	2	
18	MBW-60-18D	NYLON NUT M8	2	
19	MBW-60-19D	SW M8	2	
20	MBW-60-20D	OIL HOSE	1	
21	MBW-60-21D	BOLT M8X20T	2	
22	MBW-60-22D	SW M8	2	
23	MBW-60-23D	BREATHER CAP	1	
24	MBW-60-24D	HANDLE BRACKET (L)	1	
25	MBW-60-25D	HANDLE BRACKET (R)	1	
26	MBW-60-26D	STOPPER	1	
27	MBW-60-27D	SPRING	1	
28	MBW-60-28D	SPRING PIN 2.5X16	1	
29	MBW-60-29D	BOLT M10X30T	4	
30	MBW-60-30D	SW M10	4	
31	MBW-60-31D	HANDLE GRIP	1	
32	MBW-60-32D	BOLT M6X25T	2	
33	MBW-60-33D	SW M6	2	
34	MBW-60-34D	PW M6	2	



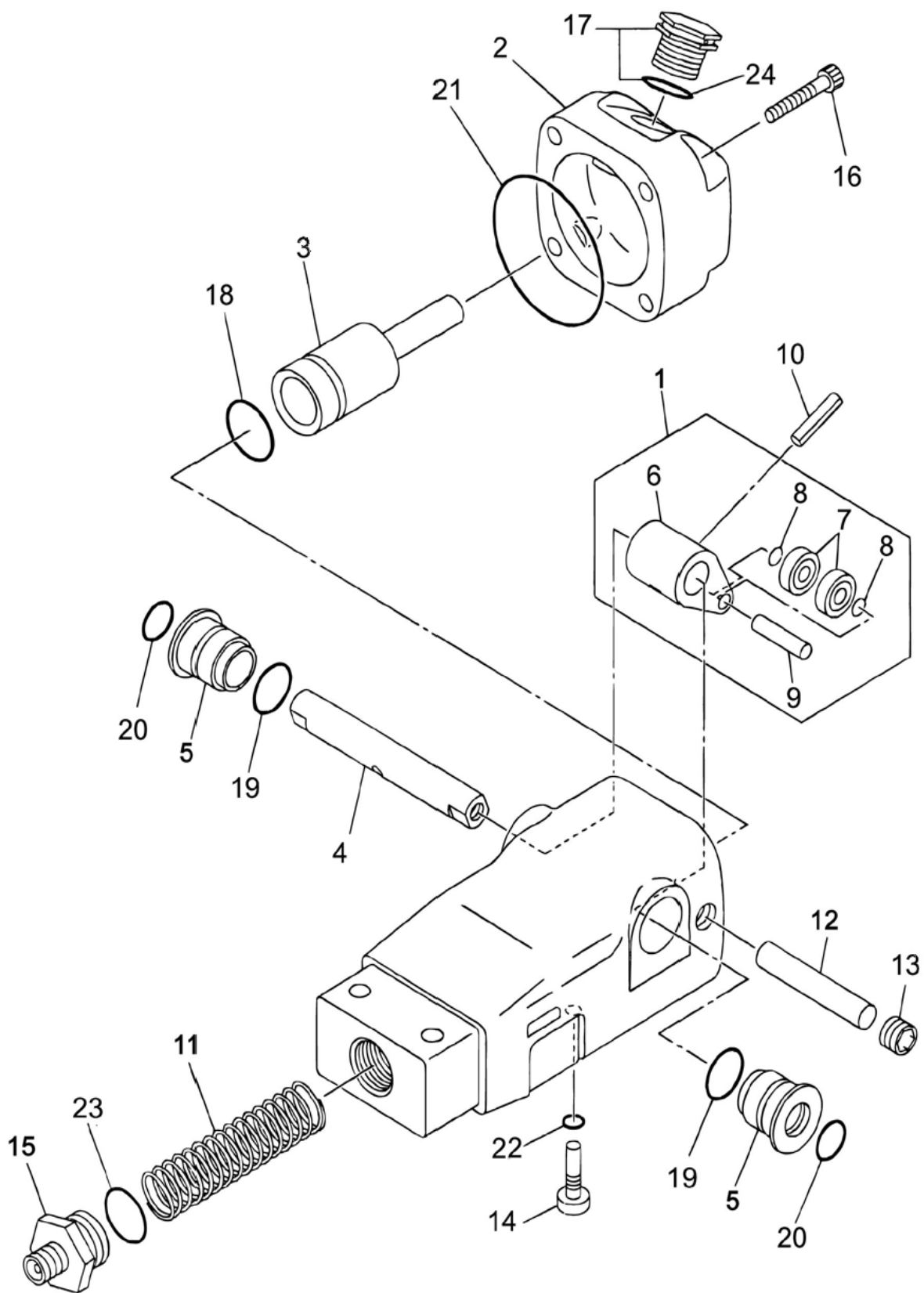
Base Plate Assembly

S/NO	PART NO	DESCRIPTION	QTY	REMARK
1	MBW-60-1A	VIBRATING PLATE	1	
2	MBW-60-2A	SHOCK ABSORBER	4	
3	MBW-60-3A	NUT M10	4	
4	MBW-60-4A	SW M10	4	
5	MBW-60-5A	BOLT M10X30T	4	
6	MBW-60-6A	SW M10	4	
7	MBW-60-7A	WASHER	4	
8	MBW-60-8A	OIL GAUGE	1	
9	MBW-60-9A	PACKING	1	



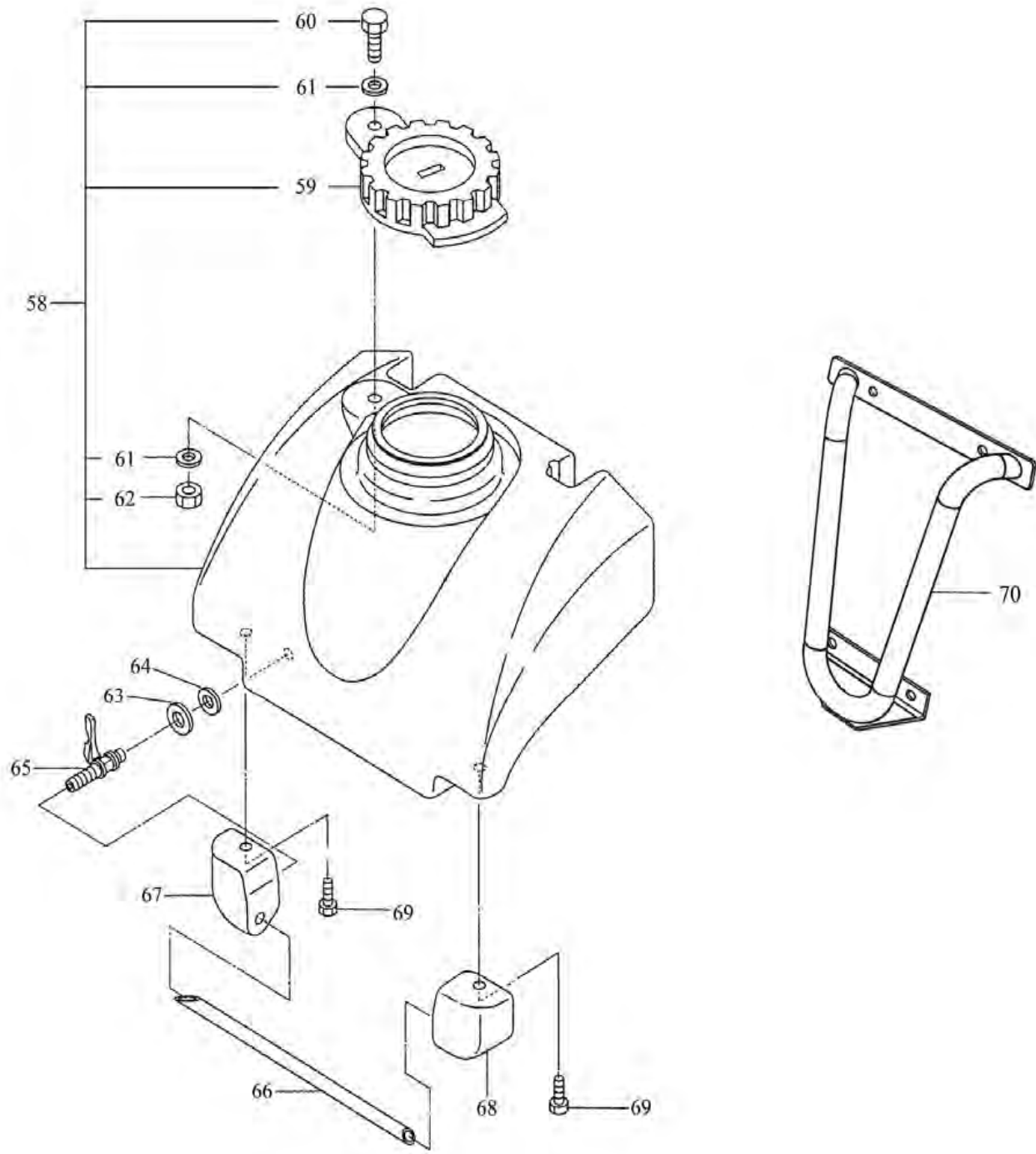
Vibrator Assembly

S/NO	PART NO	DESCRIPTION	QTY	REMARK
A	MBW-60-C	VIBRATOR ASSEMBLY	1	
1	MBW-60-1C	VIBRATING CASE	1	
2	MBW-60-2C	ROLLER BEARING 6206C4	4	
3	MBW-60-3C	ROTARY SHAFT, DRIVE	1	
4	MBW-60-4C	ROTARY SHAFT, DRIVEN	1	
5	MBW-60-5C	STOP RING S-35	4	
6	MBW-60-6C	KEY 10X8X19	1	
7	MBW-60-7C	GEAR (DRIVE)	1	
8	MBW-60-8C	GEAR (DRIVEN)	1	
9	MBW-60-9C	BEARING 6807C3	2	
10	MBW-60-10C	PISTON ROD	1	
11	MBW-60-11C	PIN 8X45	1	
12	MBW-60-12C	BEARING 6000ZZSG	2	
13	MBW-60-13C	STOP RING S-10	1	
14	MBW-60-14C	PISTON, 30D	1	
15	MBW-60-15C	PACKING USH-22.4X30X5	1	
16	MBW-60-16C	STOP RING R-26	1	
17	MBW-60-17C	ECCENT. ROTATOR, DRIVE	2	
18	MBW-60-18C	ECCENT. ROTATOR, DRIVEN	2	
19	MBW-60-19C	SOCKET HEAD BOLT M10X25	4	
20	MBW-60-20C	OIL SEAL	1	
21	MBW-60-21C	BEARING COVER	1	
22	MBW-60-22C	BOLT M8X20T	8	
23	MBW-60-23C	SW M8	8	
24	MBW-60-24C	PW M8	8	
25	MBW-60-25C	SEAL CAP	1	
26	MBW-60-26C	CYLINDER	1	
30	MBW-60-30C	BOLT M8X12T	1	
31	MBW-60-31C	COPPER PACKING 8X16X2	1	
32	MBW-60-32C	ELBOW	1	
33	MBW-60-33C	PULLEY	1	
34	MBW-60-34C	KEY 7X7X19	1	
35	MBW-60-35C	WASHER	1	
36	MBW-60-36C	SOCKET HEAD BOLT M8X15T	1	
37	MBW-60-37C	BOLT COVER	1	
38	MBW-60-38C	SOCKET HEAD BOLT M6X40T	5	
39	MBW-60-39C	BOLT M10X30T	2	
40	MBW-60-40C	BOLT M10X100T	6	



Hand Pump Assembly

S/NO	PART NO	DESCRIPTION	QTY	REMARK
1	MBW-60-1E	CAN COMP (PUMP)	1	
2	MBW-60-2E	COVER (HAND PUMP)	1	
3	MBW-60-3E	PISTON CP	1	
4	MBW-60-4E	CONTROL SHAFT (PUMP)	1	
5	MBW-60-5E	BUSH	2	
6	MBW-60-6E	CAN (PUMP)	1	
7	MBW-60-7E	BEARING 607ZZ	2	
8	MBW-60-8E	SPACER	2	
9	MBW-60-9E	PIN 7X30	1	
10	MBW-60-10E	SPRING PIN	1	
11	MBW-60-11E	SPRING (PUMP)	1	
12	MBW-60-12E	STOPPER (PUMP)	1	
13	MBW-60-13E	PLUG	1	
14	MBW-60-14E	STOP PLUG	1	
15	MBW-60-15E	HOSE JOINT	1	
16	MBW-60-16E	SOCKET HEAD BOLT M6X35T	4	
17	MBW-60-17E	BEREATHER (PUMP)	1	
18	MBW-60-18E	O-RING G-25	1	
19	MBW-60-19E	O-RING P-20	2	
20	MBW-60-20E	O-RING P-15	2	
21	MBW-60-21E	O-RING S-67	1	
22	MBW-60-22E	O-RING S-8	1	
23	MBW-60-23E	O-RING S-22	1	
24	MBW-60-24E	O-RING P-18	1	



Water Tank Assembly (optional)

S/NO	PART NO	DESCRIPTION	QTY	REMARK
58	MBW-60-1F	WATER TANK ASSEMBLY	1	
59	MBW-60-2E	CAP, WATER TANK	1	
60	MBW-60-3E	BOLT M10×30	1	
61	MBW-60-4E	WASHER 10.5×21×2	2	
62	MBW-60-5E	NYLON NUT M10	1	
63	MBW-60-6E	WASHER 14.5×30×1.6	1	
64	MBW-60-7E	PACKING 13×28×2	1	
65	MBW-60-8E	COCK	1	
66	MBW-60-9E	SPRINKLING PIPY	1	
67	MBW-60-10E	PIPE HOLDER LEFT	1	
68	MBW-60-11E	PIPE HOLDER RIGHT	1	
69	MBW-60-12E	PLANGE BOLT M8×25	2	
70	MBW-60-13E	WATER TANK FRAME	1	

WARRANTY

WHAT DOES THIS WARRANTY COVER? MBW, Incorporated (MBW) warrants each New Machine against defects in material and workmanship for a period of twelve (12) months. "New Machine" means a machine shipped directly from MBW or authorized MBW dealer to the end user. This warranty commences on the first day the machine is sold, assigned to a rental fleet, or otherwise put to first use.

MBW warrants each Demonstration Machine against defects in material and workmanship for a period of six (6) months. "Demonstration Machine" means a machine used by MBW or its agents for promotional purposes. This warranty commences on the first day the machine is sold, assigned to a rental fleet, or otherwise put to first use.

This warranty covers the labor cost for replacement or repair of parts, components, or equipment on New Machines or Demonstration Machines, and MBW shall pay labor costs at MBW's prevailing rate to affect the warranted repair or replacement. MBW reserves the right to adjust labor claims on a claim-by-claim basis.

This warranty covers the shipping cost of replacement parts, components, or equipment via common ground carriers from MBW to an authorized MBW dealer. Air freight is considered only in cases where ground transportation is not practical.

MAY THIS WARRANTY BE TRANSFERRED? This warranty is non-transferable and only applies to the original end user of a new machine or demonstration machine.

WHAT DOES THIS WARRANTY NOT COVER?

1. This warranty does not cover any Used Equipment. "Used Equipment" means any MBW machine or equipment that is not a New Machine or a Demonstration Machine. All Used Equipment is sold **AS IS/WHERE IS WITH ALL FAULTS**.

2. This warranty does not cover any New Machine, Demonstration Machine, or their equipment, parts, or components altered or modified in any way without MBW's prior written consent. This warranty does not cover the use of parts not specifically approved by MBW for use on MBW products. This warranty does not cover misuse, neglect, shipping damage, accidents, acts of God, the operation of any New Machine or Demonstration Machine in any way other than recommended by MBW in accordance with its specifications, or any other circumstances beyond MBW's control. This warranty does not cover any New Machine or Demonstration Machine repaired by anyone other than MBW factory branches or authorized MBW distributors.

3. This warranty does not cover, and MBW affirmatively disclaims, liability for any damage or injury resulting directly or indirectly from design, materials, or operation of a New Machine or Demonstration Machine or any other MBW product. MBW's liability with respect to any breach of warranty shall be limited to the provisions of this document and in no event shall exceed an amount equal to the purchase price of the New Machine or Demonstration Machine purchased from MBW.

4. This warranty does not cover engines, motors, and other assemblies or components produced by other manufacturers and used on a New Machine or Demonstration Machine, as said engines, motors, and other assemblies or components may have warranties provided by the manufacturer thereof. This warranty does not apply to consumable items, such as v-belts, filters, trowel and screed blades, seals, shock mounts, batteries, and the like, all of which are sold **AS IS/WHERE IS WITH ALL FAULTS**.

5. This warranty does not cover the cost of transportation and other expenses which may be connected with warranty service but not specifically mentioned herein.

6. This warranty does not cover any updates to any New Machine, Demonstration Machine, or any other MBW product. MBW reserves the right to improve or make product changes without incurring any obligation to update, refit, or install the same on New Machines or Demonstration Machines previously sold.

WHAT MUST YOU DO TO OBTAIN WARRANTY COVERAGE? Each New Machine or Demonstration Machine is accompanied by a Warranty Registration Card. You must sign, date, and return the Warranty Registration Card to the place of origin of the New Machine or Demonstration Machine, either to MBW, Inc. at P.O. Box 440, Slinger, Wisconsin 53086 or MBW Europe Ltd. at Units 2 & 3 Cochrane Street, Bolton BL3 6BN, United Kingdom, within ten days after purchase assignment to a rental fleet, or first use.

This signed warranty card is the buyer's affirmation that he has read, understood, and accepted the warranty at the time of purchase. Failure to return the warranty card as specified herein renders the warranty null and void. In order to receive warranty coverage consideration, warranty claims must be submitted within thirty (30) days after the New Machine or Demonstration Machine fails. Warranty claims must be submitted to MBW, Inc., MBW (UK), Ltd. or MBW FRANCE SARL, and written authorization for the return of merchandise or parts under the warranty must be obtained before shipment to MBW.

WHAT WILL MBW DO? MBW's obligation under this warranty is limited to the replacement or repair of parts for a New Machine or Demonstration Machine at MBW factory branches or at authorized MBW distributors, and such replacement or repair is the exclusive remedy provided hereunder. Labor must be performed at an authorized MBW distributor. MBW reserves the right to inspect and render a final decision on each warranty case, and MBW's repair or replacement is solely within the discretion of MBW.

IT IS EXPRESSLY AGREED THAT THIS SHALL BE THE SOLE AND EXCLUSIVE REMEDY UNDER THIS WARRANTY. UNDER NO CIRCUMSTANCES SHALL MBW BE LIABLE FOR ANY COSTS, LOSS, EXPENSE, DAMAGES, SPECIAL DAMAGES, INCIDENTAL DAMAGES, OR PUNITIVE DAMAGES ARISING DIRECTLY OR INDIRECTLY FROM THE USE OF THE NEW MACHINE OR DEMONSTRATION MACHINE WHETHER BASED UPON WARRANTY, CONTRACT, NEGLIGENCE, STRICT LIABILITY, OR ANY OTHER LEGAL THEORY.

THE FOREGOING WARRANTY IS EXPRESSLY IN LIEU OF ALL OTHER WARRANTIES, EXPRESS OR IMPLIED, INCLUDING THE WARRANTIES OF MERCHANTABILITY, FITNESS FOR USE, AND FITNESS FOR A PARTICULAR PURPOSE, AND ALL OTHER OBLIGATIONS OR LIABILITY ON MBW'S PART. MBW NEITHER ASSUMES NOR AUTHORIZES ANY OTHER PERSON TO ASSUME ON BEHALF OF MBW ANY OTHER LIABILITY OR WARRANTY IN CONNECTION WITH THE SALE OR SERVICE OF ANY NEW MACHINE, DEMONSTRATION MACHINE, OR ANY OTHER MBW PRODUCT.

EXTENDED RAMMER WARRANTY - MODELS R422, R442, R482 & R483.

This extended warranty commences on the last day of MBW's standard, one year, "limited warranty" and runs for an additional four years (48 months). This extended warranty is limited to part replacement and shipping costs of rammer **bellows and non-metallic slide bearings only**. This extended warranty does not cover labor, down time, or any other cost beyond that of component replacement and freight. This extended warranty is subject to all limitations set fourth in MBW's "limited warranty", above.

EC Declaration of Conformity

Manufacturers Name: MBW Europe Ltd.

Manufacturers Address: Units 2&3 Cochrane Street
Bolton
BL3 6BN
United Kingdom

Declares that this product: GPR44

Description of Equipment: Plate Compactor

Conforms to the following Directive: Outdoor Noise Directive:
2000/14/EC Annex VI Procedure 2

Measured Sound Power Level: 106dB Lwa

Guaranteed Sound Power Level: 108dB Lwa

Engine Power: 4.0Kw

Contact Details for Manufacturers: *Greig Sandiford*
Greig Sandiford
Managing Director
MBW Europe Ltd.

Notified Body: AV Technology Ltd.
AVTech House
Arkle Avenue
Stanley Green Trading Estate
Handforth
SK9 3RW
United Kingdom

Place of Declaration: Bolton, United Kingdom

Date: 05/01/18

